

ALUMINUM

FULL SIZE 30" WIDE CARTS



Enjoy top-quality innovative storage and organization with the sleek, modern appearance of A-Series carts. Lightweight aluminum with optimal curb appeal, the A-Series comes with curved drawer pulls, self-closing drawer slides and our expanded lock options for the perfect balance of form and function. A-Series carts offer you unlimited choices.

**CHOOSE THE HEIGHT AND WIDTH - CHOOSE YOUR DRAWER CONFIGURATION
CHOOSE YOUR LOCK - YOUR COLOR - YOUR ACCESSORIES**

A-SERIES FEATURES:

- Lightweight aluminum fully welded uni-body construction
- Self-closing, steel ball bearing, full extension drawer slides for easy access and smooth feel

MPA3030E06

Light gray body with teal drawers

Drawer Configuration:

- 24.5" W x 17" D (62.2 x 43.2 cm)

Assembled Cart Dimensions:

- Cart weight depends on model
- Shipping Dims: varies by model

Warranty: 12-Year Manufacturer's Warranty on shipments to US and Canada. 1-Year Limited Warranty on any bought-out parts.

STANDARD A-SERIES & M-SERIES FEATURES:

- Heat-sealed durable scratch resistant powder coat finish, inside and out
- Ordered accessories are easily attached to pre-threaded holes with a screwdriver
- Fully curved protective bumper guards your cart and walls from damage
- Removable plastic top
- Ergonomic side push handles can be mounted on the left or right
- Fully customizable drawer configurations at no extra charge
- Industry best 5" quiet rolling casters
- Cart is delivered assembled

MPA3024K05

White color

Engineered & Manufactured
in the U.S.



HARLOFF
INNOVATING STORAGE FOR CARE

Toll Free: (800) 433-4064 • www.harloff.com
medicalsales@harloff.com • Ph: (719) 637-0300

THE CHOICE IS YOURS!



MPA3021K04

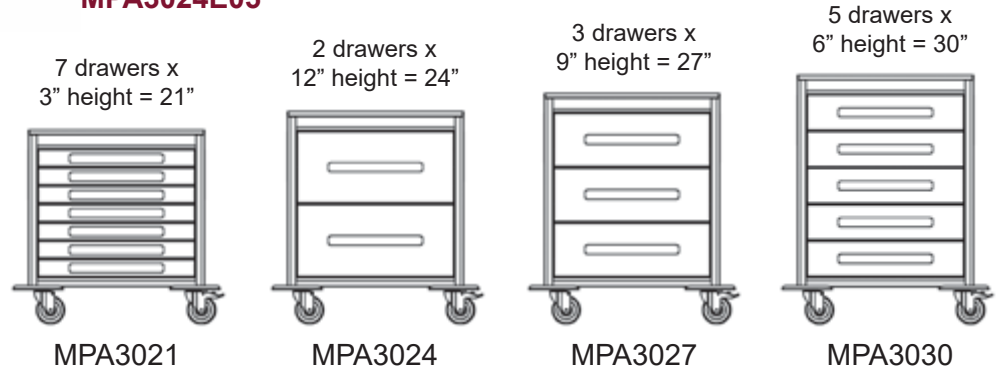
MPA3024E05

MPA3027B06

MPA3030EKC06

CHOOSE YOUR DRAWER CONFIGURATION:

1. Choose a cart size (X-Short, Short, Medium and Tall)
2. Select **any combination** of 3", 6", 9" or 12" drawers that fit within your cart's configurable drawer space.



MPA3021

MPA3024

MPA3027

MPA3030

CHOOSE YOUR LOCK:

- **B** - Breakaway Lock • **K** - Key-Lock • **E** - Basic Electronic Pushbutton Lock • **EKC** - Electronic Lock w/Keypad
- **ELP** - Electronic Lock w/Keypad and Proximity Reader • **WKC** - Wireless Electronic Lock w/Keypad • **WLP** - Wireless Electronic Lock w/Keypad and Proximity Reader
- View locking options online: <https://www.harloff.com/locking-options/>

CHOOSE YOUR COLOR(S):

Available in any of 20+ colors. An antimicrobial finish is available in Lemon Drop Yellow. View color options online: <https://www.harloff.com/finish-options/>

CHOOSE YOUR ACCESSORIES:

Full line of drawer dividers and exterior accessories are available for all cart sizes. View accessory options online: <https://www.harloff.com/accessories/>

THREE A-SERIES WIDTHS TO CHOOSE FROM:

