

M-series

Standard Width Carts

HARLOFF

INNOVATING STORAGE FOR CARE

**Choose the Height and Width - Choose Your Drawer Configuration
Choose Your Lock - Your Color - Your Accessories**

Designed and built to meet the needs of today's healthcare market. Ergonomic side handles, comfort drawer pulls, expanded lock options and a standard antimicrobial top make things easier for your staff and help support your infection control initiatives. M-Series carts offer you choices.



MDS3030EKC06



Engineered &
Manufactured
in the U.S.



MDS3027BC5

*(upgraded to white anti-microbial
breakaway bar and other options)*

Warranty:

- 12-Year Manufacturer's Warranty, 1-Year Limited Warranty on any bought-out parts

M-Series Features:

- Choice of lock options
- Full extension drawers slides for easy access
- Industry only fully curved protective bumper
- Fully customizable drawer configurations
- Durable scratch resistant hard baked powder coat finish
- Ergonomic side push handles can be mounted on either side
- Industry best 5" quiet rolling casters - one steering caster and two braking casters
- Body has pre-threaded accessory mounting holes
- Removable plastic top

Base MDS30 Cart Dimensions:

- Inside Drawer Dims:
24.5" W x 17" D (62.2 x 43.2 cm)
- Cart Weight – 100-160 lbs, depending on model
- Shipping Dims: varies by model

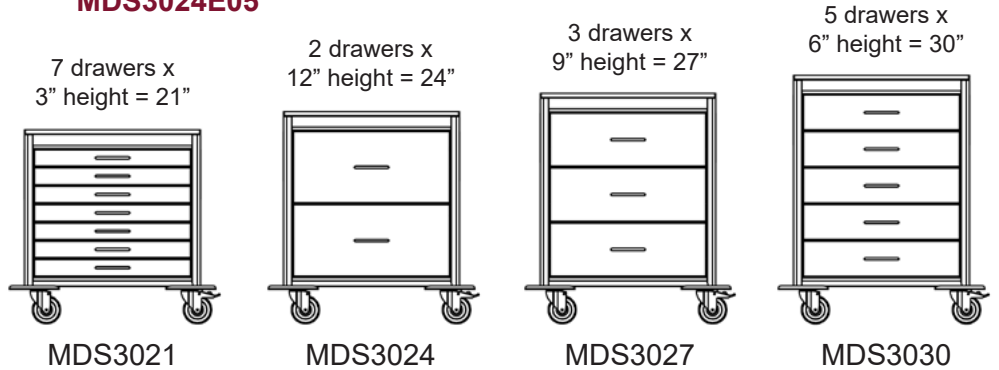
Toll Free: (800) 433-4064 • medicalsales@harloff.com • www.harloff.com • Ph: (719) 637-0300

The Choice is Yours!



Choose Your Drawer Configuration:

1. Choose a cart size (X-Short, Short, Medium and Tall)
2. Select **any combination** of 3", 6", 9" or 12" drawers that fit within your cart's configurable drawer space.



Choose Your Lock:

- **B** - Breakaway Lock
 - **K** - Key-Lock
 - **E** - Basic Electronic Pushbutton Lock
 - **EKC** - Electronic Lock w/Keypad
 - **ELP** - Electronic Lock w/Keypad and Proximity Reader
 - **WKC** - Wireless Electronic Lock w/Keypad
 - **WELP** - Wireless Electronic Lock w/Keypad and Proximity Reader
- View locking options online: <https://www.harloff.com/locking-options/>

Choose Your Color(s):

Available in any of 20+ colors. An antimicrobial finish is available in Lemon Drop Yellow. View color options online: <https://www.harloff.com/finish-options/>

Choose Your Accessories:

Full line of drawer dividers and exterior accessories are available for all cart sizes. View accessory options online: <https://www.harloff.com/accessories/>

Three M-Series Widths to Choose From:

