

# M-series

## Mini Width Carts

# HARLOFF

INNOVATING STORAGE FOR CARE

**Choose the Height and Width - Choose Your Drawer Configuration  
Choose Your Lock - Your Color - Your Accessories**

Designed and built to meet the needs of today's healthcare market. Comfort drawer pulls, expanded lock options and a standard antimicrobial top make things easier for your staff and help support your infection control initiatives. M-Series carts offer you choices.



**M3DS1827K05**

**MDS1824EKC05**



Engineered &  
Manufactured  
in the U.S.



**MDS1830B06**

### Warranty:

- 12-Year Manufacturer's Warranty, 1-Year Limited Warranty on any bought-out parts

### M-Series Features:

- Choice of lock options
- Full extension drawers slides for easy access
- Industry only fully curved protective bumper
- Fully customizable drawer configurations
- Durable scratch resistant hard baked powder coat finish
- Industry best 5" quiet rolling casters
  - one steering caster and two braking casters
- Body has pre-threaded accessory mounting holes
- Removable plastic top

### Base MDS18 Cart Dimensions:

- Inside Drawer Dims:  
12.5" W x 17" D (31.8 x 43.2 cm)
- Cart Weight – 85-105 lbs, depending on model
- Shipping Dims: varies by model

Toll Free: (800) 433-4064 • [medicalsales@harloff.com](mailto:medicalsales@harloff.com) • [www.harloff.com](http://www.harloff.com) • Ph: (719) 637-0300

# The Choice is Yours!



**X-Short**  
21" of Configurable  
Drawer Space

**Short**  
24" of Configurable  
Drawer Space

**Medium**  
27" of Configurable  
Drawer Space

**Tall**  
30" of Configurable Drawer Space



**MDS1821E14**



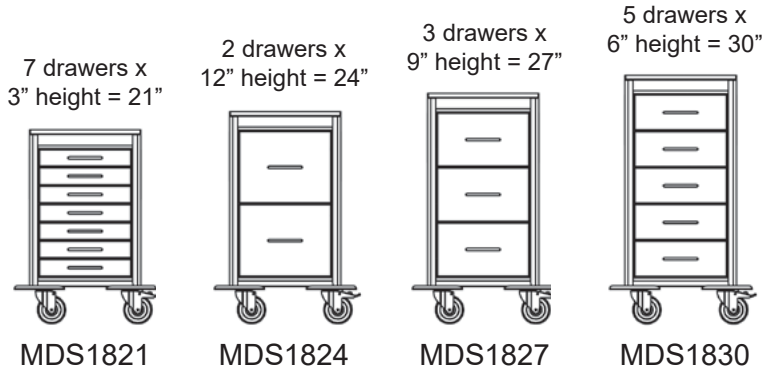
**M3DS1824K03**



**MDS1827WKC05**



**MDS1830EKC06**



## Choose Your Drawer Configuration:

1. Choose a cart size (X-Short, Short, Medium and Tall)
2. Select **any combination** of 3", 6", 9" or 12" drawers that fit within your cart's configurable drawer space.

## Choose Your Lock:

- **B** - Breakaway Lock    • **K** - Key-Lock    • **E** - Basic Electronic Pushbutton Lock    • **EKC** - Electronic Lock w/Keypad
  - **ELP** - Electronic Lock w/Keypad and Proximity Reader    • **WKC** - Wireless Electronic Lock w/Keypad    • **WELP** - Wireless Electronic Lock w/Keypad and Proximity Reader
- View locking options online: <https://www.harloff.com/locking-options/>

## Choose Your Color(s):

Available in any of 20+ colors. An antimicrobial finish is available in Lemon Drop Yellow. View color options online: <https://www.harloff.com/finish-options/>

## Choose Your Accessories:

Full line of drawer dividers and exterior accessories are available for all cart sizes. View accessory options online: <https://www.harloff.com/accessories/>

## Three M-Series Widths to Choose From:

